

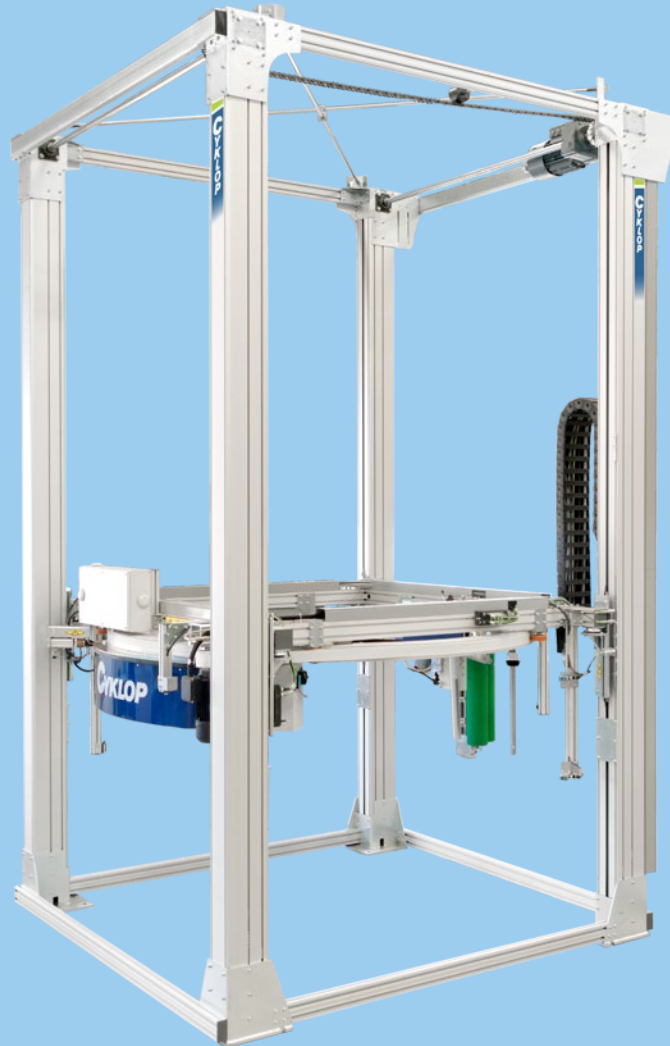


Fully Automatic Stretch Wrapper  
**CTR 2000**



# STRETCH WRAPPER CTR 2000

## Specification and dimensions, standard machine

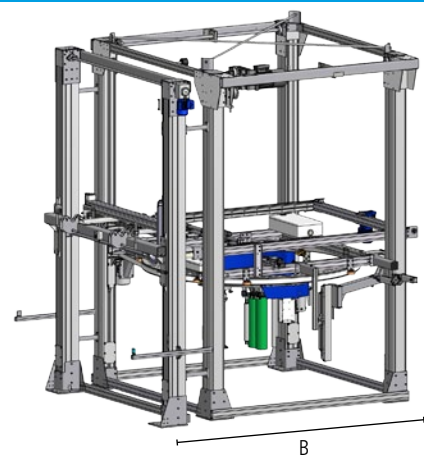
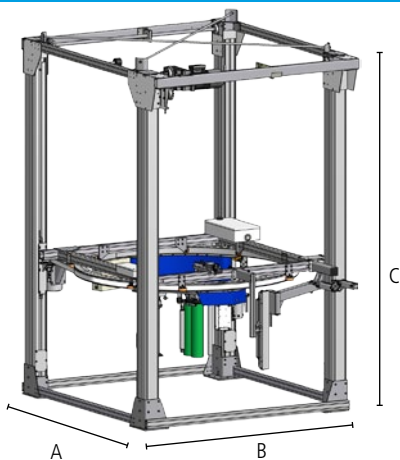


The CTR 2000 is a high performance ring wrapping machine, equipped with Cyklop's patented pre stretch system **POWER ECOSTRETCH+** which is adjustable up to 300%.



Standard

With ITF - Top sheet dispenser



Dim (mm)	A	B	C
Standard	2800	2400	3780
With ITF	-	3200	3780

Crated dimensions std machine: L3800 x W2400 x H2850 mm.  
Weight 2000 kg.

Dim (mm)	E	F	G	Weight
Pallet, min	400	600	>500	<100-1500 kg
Pallet, max	1200/1400*	1200/1000*	< 2500**	

\*) Option for larger pallet dimensions are available, more info.: [www.cyklopteknik.se](http://www.cyklopteknik.se).  
\*\*) Option for pallet heights up to 3100 mm is available.

# STRETCH WRAPPER CTR 2000



## STANDARD MACHINE

Pallet flow	Up to 120 pallets/hour	
Ring speed	Frequency-controlled up to 45 r.p.m. Soft start / stop	
Film carriage speed	Adjustable	
Tension	Adjustable	
Safety norm	IP54	
Pre-stretch system	<b>POWER ECOSTRETCH<sup>+</sup></b>	
Pre-stretch ratio	7 gears, up to 300 %	
Stretch wrapping programs	15, high flexibility due to variable parameter settings.	
Controller	Siemens PLC S7	
Power	Supply	3-phase 400 V+N+PE, 50 Hz
	Loading	16 A (4 kW)
	Control voltage	24 V
	Battery	48 V
Pneumatic	Compressed air (no lube)	6 bar,
	Air flow rate	Approx. 18 NL /cycle
	EX classification	Not approved for ATEX classified areas
Pallet Goods	Max size (length x width)	1200x1000 / 1200x1400 mm
	Max. goods height incl. pallet:	2500 mm*
	Permitted load weight:	Unlimited (depending on conveyor capacity)
Stretch Film	Core diameter	76 mm
	Outer diameter, max	250 mm
	Film width, max	500 mm
	Film thickness	9-35 my
	Operating temperature:	1°C (34°F) to 35°C (95°F) for use in a dry, tempered area.

\*) Incl. transport height 300 mm

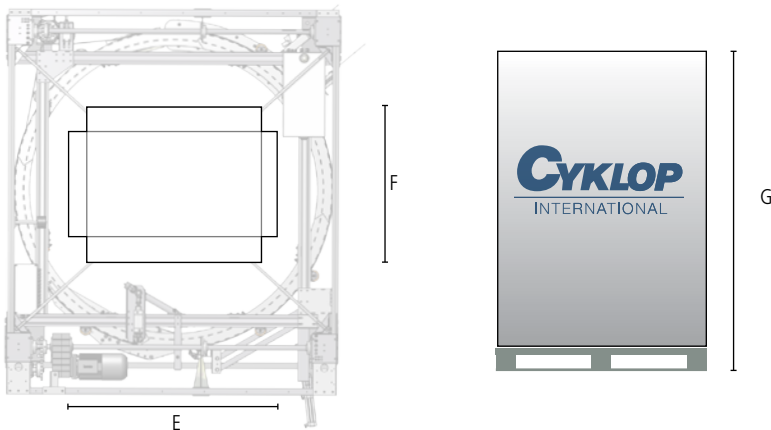


## Selected

- TSD 2000 - Top sheet dispenser
- 90° degree in or out transport
- Air conditioned electrical cabinet
- Alarm "Film almost at an end"
- Custom color
- Extended ring
- Heightseeking device
- Lifting trolley for film loading
- Lightbeams
- Pallet check in/out conveyor, photocells for control of in/out feeding side
- Pallet control, photocell for control of pallet size and position
- Stringroller
- Top plate, rectangular (600 x 1000 mm)
- Welding with metal plates
- External communication with the machine through eWon\*

Most options and accessories can be ordered for after market fitting. As a result of our strive to improve our products, the information and specifications are subject to change without prior notice.

## Load handling



Dim (mm)	Std CTR 2000	With ITF	With top plate	With ITF + top plate
Machine height	3780	3780	4180	4180
Pallet height, max*	2500	2240	2500	1940

\*) Incl. transport height 300 mm

\*) Make changes to the program from anywhere in the world!



Install our eWON option and monitor the machine remotely by various interfaces such as LAN, WiFi or 3G. This is done through the eWON Flexy modular router. Equip the router with one or several communication modules depending on what communication possibilities are available at the customers facility.

# Stretch Wrapper CTR 2000

This CTR 2000 has been developed to meet ever tougher demands from the industry. The wrapper is fast, yet flexible and can handle varying types of goods, including goods not covering the whole pallet.

Four different wrapping programmes for different types of goods have been pre programmed and can be chosen manually from the operating panel or by remote control from adjacent equipment. Individual settings for every programme can easily be made by the user with function keys on the display unit. No previous knowledge of programming or special equipment required to make these settings. It is easy to calculate the cost of the film. The amount used for each pallet application is shown on the display.

The CTR 2000 has a unique system with a battery-powered film unit which means that the ring does not have a rotating power-feed, rendering the system practically maintenance-free. Recharging always takes place when the ring is in home position.

## Easy to operate

- Controls are easy to find and understand.
- Fast and simple film roll change.
- Automatic load height sensor.
- Mechanics – designed for easy maintenance.

## Saves money

- Pre-stretch ratio is adjustable up to 300%. Patent approved system, **POWER ECOSTRETCH<sup>+</sup>**
- Motorized prestretch unit minimizes film consumption and protects delicate goods.
- The chosen pre stretch ratio stays constant, which guarantees consistent low film consumption, load after load.
- Film carriage speed is individually adjustable to optimize film overlap.

## Key features:

- Easy change of all program parameters and settings.
- All functions of the CTR 2000 can be manually operated.

## Consistent packaging result

- Flexible setting possibilities enable optimum packaging for a variety of goods.
- The film tension is automatically controlled which gives an even cover around the goods.
- Several standard programs are available, e.g. with top sheet for protection against water.
- 5 programs are factory preset.
- The memory can contain 15 programs, which all can be programmed with individual parameters.

## The display can show the following information:

- Film consumption for the last pallet.
- Total number of wrapped pallets after latest reset.
- Film cost per pallet.
- Help with troubleshooting.

## Remark for CTR 2000 with ITF:

For loads lower than 750 mm, a lifting table should be used for best packing result.

[WWW.CYKLOPTEKNIK.SE](http://WWW.CYKLOPTEKNIK.SE)

CYKLOP TEKNIK AB  
Villstadsvägen 1  
333 77 BURSERYD  
SWEDEN  
info@cyklopteknik.se

**CYKLOP**<sup>®</sup>  
GLOBAL PACKAGING SOLUTIONS

STRAPPING  
WRAPPING  
CODING  
TAPING